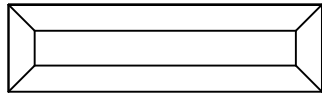


# SHUTTER BOX O FRAME

45 DEGREE CUT



BOX SIZE

TOP OF BOX  
(FM HEIGHT)

RAIL  
HEIGHT

### Available Leg Sizes

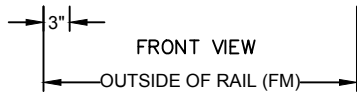
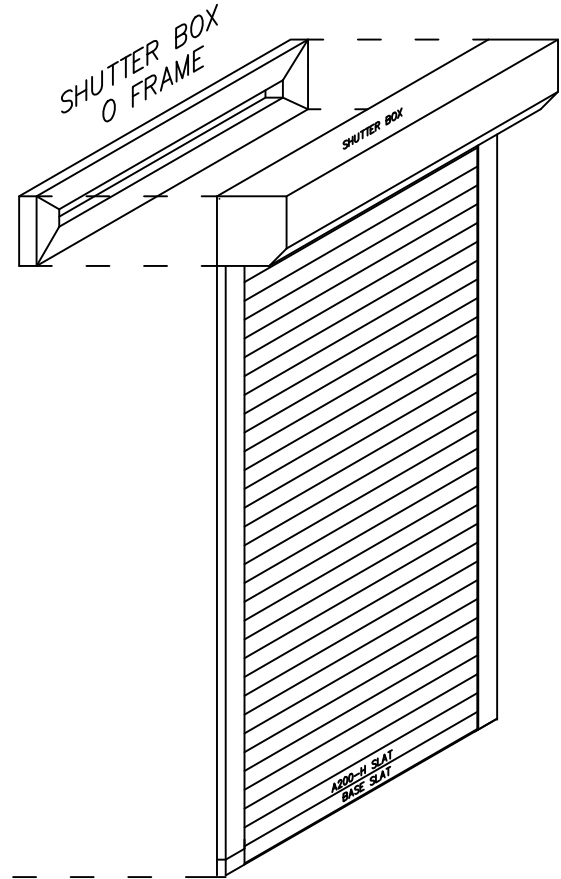
- 1" x 2" x 0.125
- 1" x 3" x 0.125
- 1" x 4" x 0.125
- 2" x 2" x 0.125
- 2" x 3" x 0.125
- 2" x 4" x 0.125
- 3" x 3" x 0.125
- 4" x 4" x 0.125

### Available Colors

- White
- Beige
- Bronze
- Metalic
- Grey
- Brown
- Arcona Beige

SHUTTER

SHUTTER BOX  
O FRAME



FRONT VIEW

OUTSIDE OF RAIL (FM)

SIDE VIEW

ISOMETRIC VIEW  
SHUTTER AND A FRAME

Copyright © 2016 by Rollac Rolling Shutters

APPLICATION: TO BUILD OUT UNDER THE SHUTTER BOX ONLY.



5331 W. Orange St.  
Pearland, TX. 77581  
Tel: 281-485-1911  
www.rollac.com